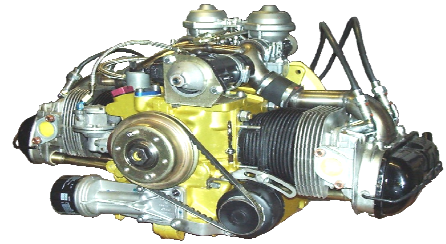
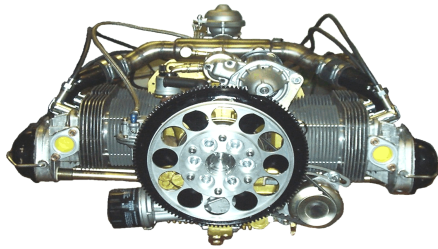
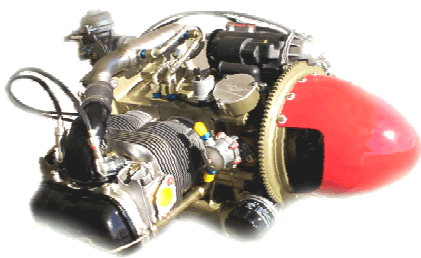


SAUER FLUGMOTORENBAU GMBH



D-55270 Ober-Olm • Nieder-Olmer-Str. 16 • Telefon ++49 (0) 6136-89377 • Fax: ++49 (0) 6136-85466 • eMail: sauer-flugmotorenbau@t-online.de



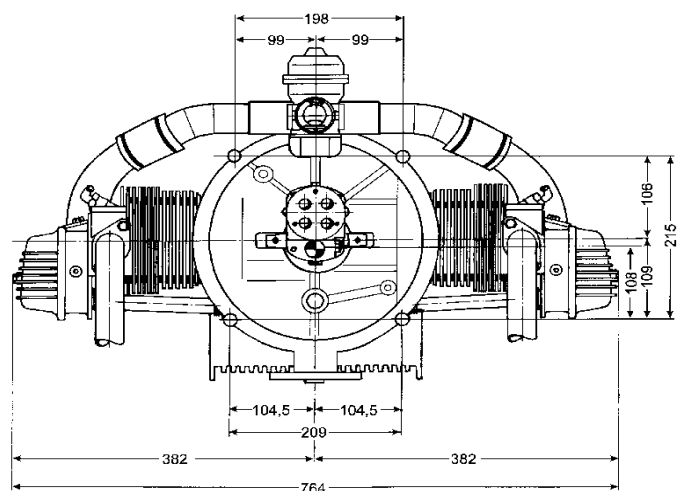
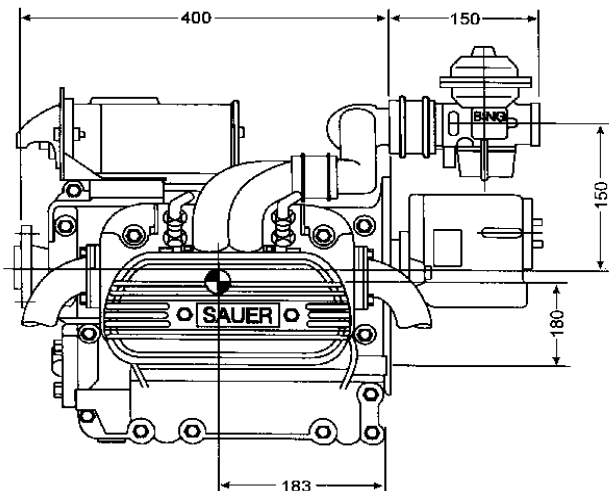
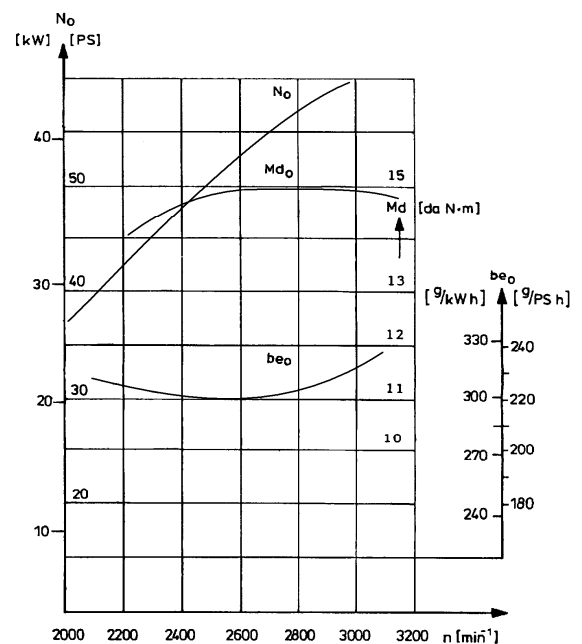
S 1800 -1-ES1

S 1800 -1-ES1C

S 1800 -1-RS1

4 cylinder 4 stroke air cooled engine with opposed cylinders, hydraulic valve tapped, automatic carburetor, mechanical fuel pump, magneto single or magneto-electronic dual ignition, wet sump pressure lubrication

Maximum Power	44 KW / 60 PS bei 3000 rpm
Displacement	1754 cm ³
Bore	90 mm
Stroke	69 mm
Compression ratio	8,5 : 1
Ignition single / dual	Magneto / Sauer electronic
Spark plugs	BERU 14-7DU / BOSCH W7DC
Firing Order	1-3-2-4
Firing point	25° BTDC
Carburetor	altitude compensation
Fuel min. oktane	95 RON
Mechanical fuel pump	Sauer
Starter	12 V – 0,8 KW
Generator	14 V – 200 W
Oil pressure	max. 7 bar, min 1 bar at 2500 rpm
Oil temperature	max 120°C, min. 50°C
Oil capacity	3,5 ltrs
Cylinder head temperature	max. 200°C
Propeller drive	direct, anti-clockwise
Dry weight approx.	63 Kg
Fuel consumption in cruise	8-9 ltrs
LBA Type Certificate No.	4590



SAUER FLUGMOTORENBAU GMBH



D-55270 Ober-Olm • Nieder-Olmer-Str. 16 • Telefon ++49 (0) 6136-89377 • Fax: ++49 (0) 6136-85466 • eMail: sauer-flugmotorenbau@t-online.de